

Interchangeable with  
Model TH-UMM

SPEC SHEET  
LC202

**\$560**  
Model Shown

# HIGH ACCURACY SUBMINIATURE UNIVERSAL LOAD CELL

**LC202 Series  
Tension/Compression  
Calibrated in Tension**

**0-25 to 0-10,000 lb  
0-100 to 0-45,000 N**

1 Newton = 0.2248 lb  
1 daNewton = 10 Newtons  
1 lb = 454 g  
1 t = 1000 kg = 2204 lb

- ☑ Miniature Package for Test Stands and Difficult Locations
- ☑ Rugged Heavy Duty Construction
- ☑ Dual Mounting Studs for Easy Installation
- ☑ 5-Point NIST Calibration Provided

The OMEGADYNE™ LC202 Series Load Cells offer the designer a common series with ranges from 25 lb to 10,000 lb and accuracy of 0.25%. The all stainless steel construction and rugged design assure long life in industrial and commercial applications.

**SPECIFICATIONS:**

**Output:** 2 mV/V

**Excitation:** 10 Vdc, 15 Vdc max

**Accuracy:** ±0.25% FSO Linearity, Hysteresis, Repeatability Combined

**Calibrated at** 0%, 50%, 100%, 50%, 0%

**Zero Balance:** ±2% FSO

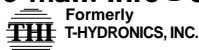
**For Sales and Service  
In U.S.A. and Canada**

**1-800-872-3963<sup>SM</sup>  
1-800-USA-DYNE**

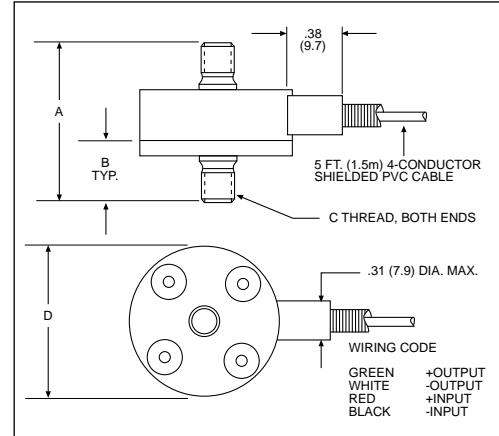
**International Customers Dial  
(614) 965-9340  
24-Hour FAX (614) 965-9438**

**OMEGADYNE<sup>SM</sup> FAX**  
OMEGADYNE's 24-Hour  
On-Line Publishing Service  
**1-800-344-3963<sup>SM</sup>  
1-800-DIG-DYNE**  
Document # 3631

**OMEGADYNE, Inc.** →  
149 Stelzer Court, Sunbury, OH 43074  
**http://www.omegadyne.com** →  
**e-mail: info@omegadyne.com**



© COPYRIGHT 1996 OMEGADYNE, INC. ALL RIGHTS RESERVED.



Dimensions Shown in Inches (mm)

Capacity (lb)	A	B	C	D
25-500	1.00 (25)	.25 (6.3)	10-32 UNF-2A	1.00 (25)
1,000	1.31 (33)	.38 (9.7)	1/4-28 UNF-2A	1.00 (25)
2,000	1.75 (44)	.50 (13)	3/8-24 UNF-2A	1.00 (25)
3,000	1.75 (44)	.50 (13)	3/8-24 UNF-2A	1.00 (25)
4,000	2.23 (57)	.63 (16)	1/2-20 UNF-2A	1.25 (32)
5,000	2.23 (57)	.63 (16)	1/2-20 UNF-2A	1.25 (32)
7,500	2.89 (73)	.88 (22)	3/4-16 UNF-2A	1.38 (35)
10,000	2.89 (73)	.88 (22)	3/4-16 UNF-2A	1.38 (35)

**Operating Temp Range:**  
-54 to 121°C (-65 to 250°F)

**Compensated Temp. Range:**  
16 to 71°C (60 to 160°F)

**Thermal Effects:**  
Zero: 0.005% FSO/°F  
Span: 0.005% Rdg/°F

**Safe Overload:** 150% of Capacity

**Ultimate Overload:** 300% of Capacity  
**Input Resistance:** 360 ohms minimum  
**Output Resistance:** 350 ±5 ohms  
**Construction:** Stainless Steel  
**Electrical:** 5 ft (1.5m) 4-conductor shielded PVC cable

➔ **Most Popular Models Highlighted** ←

Prices Shown in U.S. Dollars

To Order: (Specify Model Number)			
Capacity (lb)	Model Number	Price	Compatible Meters
±25	LC202-25	\$560	INFW, INFS, INFCS
±50	LC202-50	560	INFW, INFS, INFCS
±100	LC202-100	560	INFW, INFS, INFCS
±300	LC202-300	560	INFW, INFS, INFCS
±500	LC202-500	560	INFW, INFS, INFCS
±1,000	LC202-1K	560	INFW, INFS, INFCS
±2,000	LC202-2K	560	INFW, INFS, INFCS
±3,000	LC202-3K	560	INFW, INFS, INFCS
±5,000	LC202-5K	560	INFW, INFS, INFCS
±7,500	LC202-7.5K	560	INFW, INFS, INFCS
±10,000	LC202-10K	560	INFW, INFS, INFCS

Interchangeable with Model TH-UMM

Metric Ranges Available - Consult Engineering

**Ordering Examples:** 1.) LC202-25 is a 25 lb capacity miniature universal load cell, \$560.  
2.) LC202-1K is a 1000 lb capacity miniature universal load cell, \$560.

Printed On Recycled Paper

